

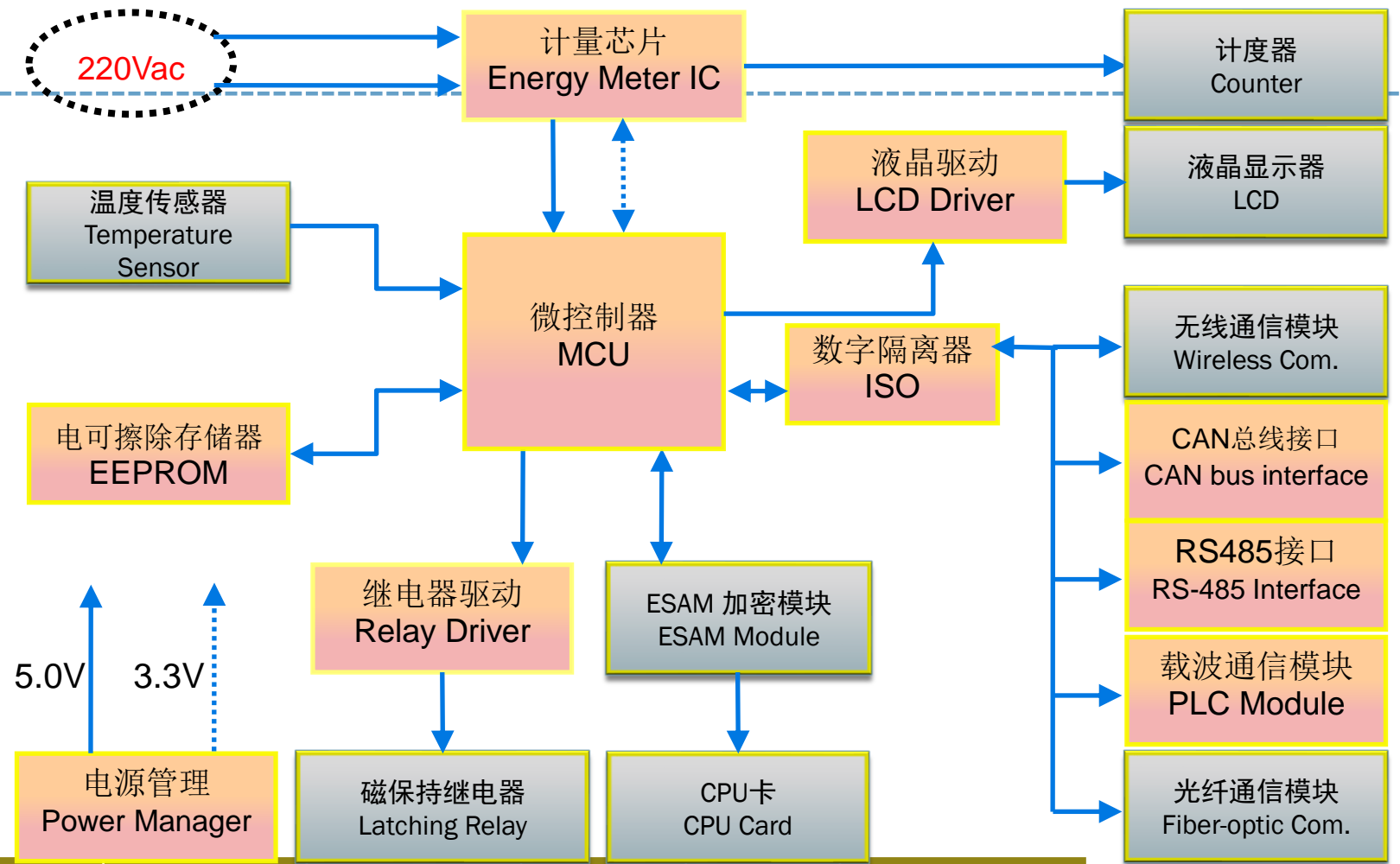
公司概况



- 上海贝岭公司创建于1988年，是国内集成电路行业的第一家中外合资企业。1998年改制上市，成为中国集成电路行业第一家上市公司，是上海集成电路设计业前十名企业。目前华大半导体有限公司为公司第一大股东，华大半导体是国内前十的IC设计企业。
- 上海贝岭是国家规划布局内重点集成电路设计企业，拥有国家级企业技术中心，专注于集成电路芯片设计和产品应用开发，是国内集成电路产品主要供应商之一。公司集成电路产品业务布局在功率链（电源管理、功率器件业务）和信号链（数据转换器、电力专用芯片、物联网前端、非挥发存储器、标准信号产品业务）2大类、7个细分产品领域。主要目标市场为能效监测、汽车电子、工业控制、大家电、通讯设备、楼宇智能等六个应用市场面。
- 截止2021年底，公司（含子公司）累计拥有有效专利数383项，其中发明专利278项；累计拥有有效集成电路布图设计专有权371项；软件著作权4项。
- 公司于2017年内完成并购锐能微，拥有国内最为丰富的产品系列，产品包括了计量芯片，液晶驱动，485接口电路，SOC，电源管理产品等，可为客户供应链资源提供优势支持。
- 依靠自身以及华大半导体的集群优势，公司与全球知名、国内领先的晶圆加工、封装测试厂商长期保持良好的合作关系，积累了丰富的供应链管理经验，保证公司产品产业链的有效运转和产品质量。
- 除上海总部，设深圳、出口、北京、西安、成都办事处，为客户提供方便快捷的服务。强大的FAE团队支持，帮助客户快速完成产品设计导入，创造更多价值。



电表芯片选型参考

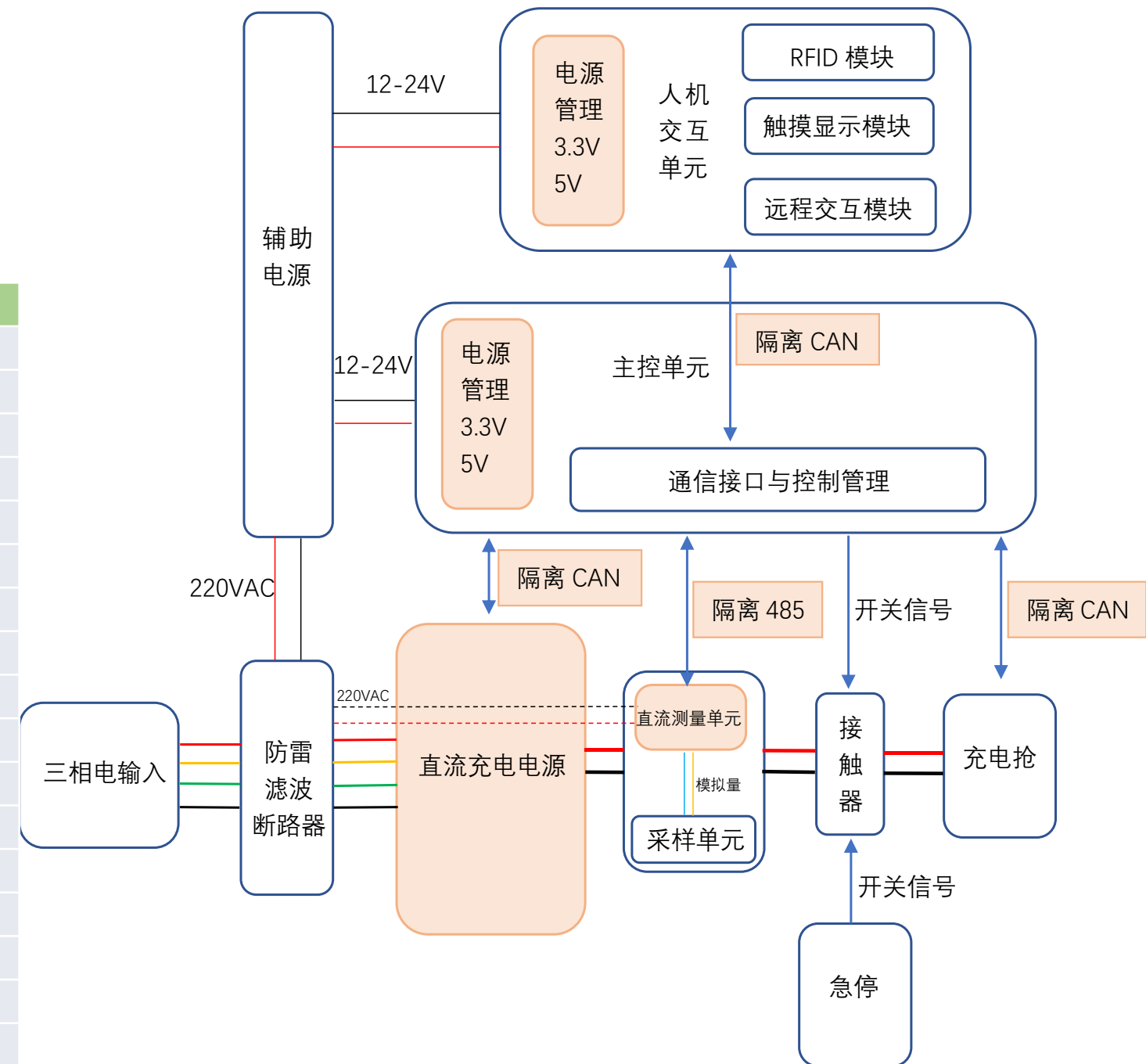


电表方案类型推荐	计量产品	主控	液晶驱动	数字隔离器	AC-DC	通讯接口	LDO	DC-DC	Relay Driver	EERPOM
单相智能电表方案	RN8209C	RN8613	BL55072A	BL712X BL714X BL716X		BL3085 BL1571	BL78L05D ME6231 BL8062 BL9153	BL9342	BL8023	BL24C512 BL24C256
三相智能电表方案	RN8302B	RN8318	BL55080	BL716X		BL3085	BL78L05D ME6231 BL8062	BL9362	BL8023	BL24C512 BL24CM1
单相导轨表	BL0930F		BL55073	-	BL8812B	BL3085 BL1571	BL78L05D BL9153	-	-	BL24CXX
三相导轨表	BL6552		BL55072A	-	BL8802B	BL3085	BL78L05D BL9153	-	-	BL24CXX
一片式解决方案	RN8213系列			BL712X	BL8812B	BL3085	BL9153	BL9342	BL8023	BL24CXX

汽车充电桩芯片选型参考

电压管理	型号	备注
电源管理芯片	ME1117	LDO
	BL78L05D	三端稳压器
	ME8206	AC-DC 控制器
通讯接口芯片	BL3085	RS485接口 最大速率500K
	BL7385	隔离485接口, 最大速率500K
	BL7390	隔离高速485接口, 最大速率10M
	BL13232ETS	RS232接口
	BL1571/1571V	CAN接口芯片
	BL7371	隔离CAN接口(2023 Q4)
物联网计量芯片	BL0972	直流计量芯片
	BL66A0242	直流计量SOC(模块)
	BL0939	双路免校准交流计量
	BL0942	单路免校准交流计量
IGBT芯片	BLG40T65FDL/K	650V/40A IGBT
	BLG75T65FDL/K	650V/75A IGBT
高压MOSFET	BL3N150	1500V/3A MOSFET
	BL10N80	800V/10A MOSFET
	BL2N50	500V/2A MOSFET
存储器	BL24CXXX	2K到2M EEPROM
RTC芯片	BL5372	时钟芯片
	BLX8563	时钟芯片
达林顿管驱动	ULN2803	输出8通道达林顿管驱动
	ULN2003	输出7通道达林顿管驱动

直流充电桩系统框图



智能水表芯片选型参考

低功耗LDO
 ME6231
 ME6214

LCD显示
 BL55073

低压MOS
 BLM2301

数据存储
 BL24CXXX

计量采样
 双干簧管/霍尔
 脉冲采样

阀门控制
 BL8310、BL113

防磁干扰
 无磁计量

低功耗MCU

M-BUS
 BL15271A

电池电压检测
 内部LVD检测电压

蜂鸣器/LED报警

Type	Part No.	Description	Package
Low power LDO	BL8075	16V 10uA 500mA LDO	SOT89-3 SOT23-5
	ME6214	18V 1uA 300mA LDO	SOT89-3 SOT23-5 SOT23-3
	ME6231	18V 1.8uA 500mA LDO	SOT23-3、SOT89-3、SOT223 DFN1.2*1.6-4
EERPOM	BL24CXXX	2K TO 2M bits EEPROM	SOP8
Motor Driver	BL8310	1A 2~6.8V H-Bridge Driver	SOP8 DFN8
	BL113	1A 2.1~6.8V H-Bridge Driver	SOT23-6
	BL8837	1.8A 1.8~12V 0.5mA H-Bridge Driver	SOP8 DFN8
RS485	BL3085	RS485 Interface	SOP8
LCD Driver	BL55073	4com*19 seg LCD Driver	TSSOP28
MOSFET	BLM2301	-20V -3A P channel mosfet VGS=12V	SOT23

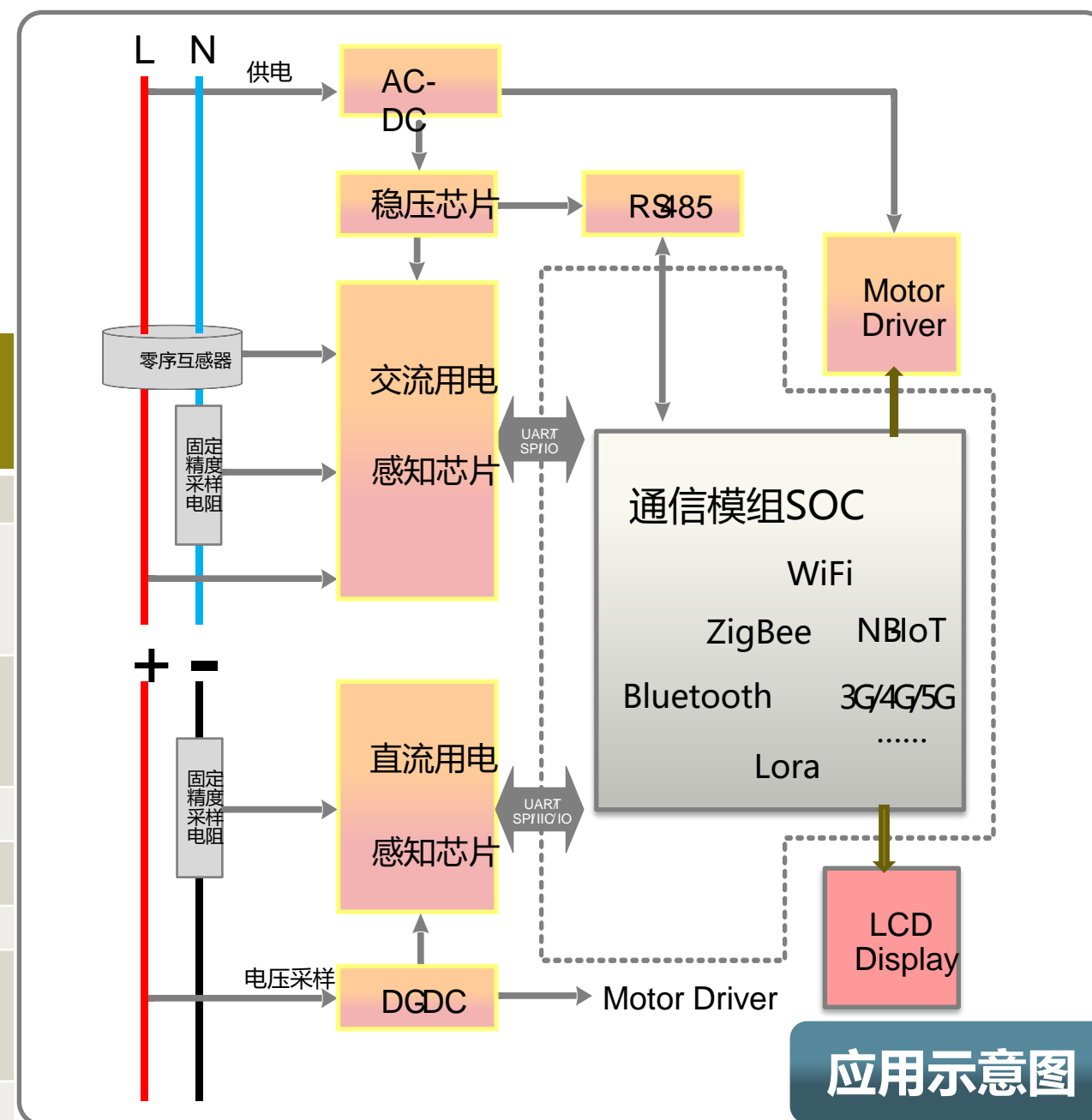
智能气表芯片选型参考



Type	Part No.	Description	Package
Low power LDO	BL8075	16V 10uA 500mA LDO	SOT89-3 SOT23-5
	ME6214	18V 1uA 300mA LDO	SOT89-3 SOT23-5 SOT23-3
	ME6231	18V 1.8uA 500mA LDO	SOT23-3、SOT89-3、SOT223 DFN1.2*1.6-4
AC-DC	ME8327 BL8812B	12W With Internal 650V Power MOSFET	SOP7
EERPOM	BL24CXXX	2K TO 2M bits EEPROM	SOP8
Motor Driver	BL8837	1.8A 1.8~12V 0.5mA H-Bridge Driver	SOP8 DFN8
	BL8310	1A 2~6.8V H-Bridge Driver	SOP8 DFN8
RS485	BL3085	RS485 Interface	SOP8
LCD Driver	BL55073	4com*19 seg LCD Driver	TSSOP28
	BL55088	6com*38 seg LCD Driver	LQFP52
MOSFET	BLM3401	-30V -4A P channel mosfet VGS=12V	SOT23
	BLM3407	-30V -4A P channel mosfet VGS=20V	SOT23

泛在用电感知系统芯片选型参考

Type	Part No.	Description	Package
AC Power Sensing Chip	BL0937B	1 Current, 1 Voltage, Power, Active,	SOP8
	BL0942	1 Current, 1 Voltage, Power, Active, Freq, Calibration free accuracy 1%,	SSOP10 TSSOP14
	BL0939	2 Current, 1 Voltage, Power, Active, Calibration free accuracy 1%,	SOP16 SSOP20
AC/DC Universal Power Sense Chip	BL0972	1 Current, 1 Voltage	TSSOP20
	BL0906	6Current, 1 Voltage	LQFP32
	BL0910	10 Current, 1 Voltage	LQFP48
AC/DC Universal Power Sense SOC	BL66A0242	2Current, 1 Voltage, Arm0 256K RAM 32K ROM, DC Calibration accuracy 0.1%@1000:1	LQFP64
AC-DC	BL8812	12W With Internal 650V Power MOSFET	SOP7
	BL8851	Max. 60W With External Power MOSFET	SOT23-6
Motor Driver	BL5612	1.5A 3.0~25V H-Bridge Driver	SOP8
	BL5617	3.0A 3.0~25V H-Bridge Driver	SOP8
RS485	BL3085	RS485 Interface	SOP8
LDO	BL9162	5.5V 300mA LDO	DFN1x1 SOT23-5
	BL78L05D	42V 100mA Voltage Regulators	SOT89-3



应用示意图

Measurement IC Of IOT 泛在用电感知芯片

Part No.	Measurement	Power Consumption	ADC Channels	Output	Clock	VDD	Calibration Free	Package	Application
BL0937B	Multifunction (Active, I, V, P.)	6mW	2	Pulse	Internal	3.3V	×	SOP8	智能插座
BL0939	Multifunction (Active, I, V, P.)	10mW	3	SPI/UART	Internal	3.3V	✓	SOP16 SSOP20	充电桩
BL0940	Multifunction (Active, I, V, P.)	8mW	2	SPI/UART	Internal	3.3V	✓	TSSOP14	智能照明 工业级计量模块
BL0942	Multifunction (Active, I, V, P, Freq.)	10mW	2	SPI/UART	Internal	3.3V	✓	SSOP10 TSSOP14	智能插座 充电桩 户外储能
BL0910	1U10I Or 3U6I, Multifunction (Active 5000:1, Reactive 5000:1, Freq., PF, Q, S, P, V, I) / DC 2000:1	30mW	11	SPI/UART	Internal	3.3V	AC:✓ DC:×	LQFP48	多路交直流计量
BL0906	1U6I, Multifunction (Active 5000:1, Reactive 5000:1, Freq., PF, Q, S, P, V, I) / DC 2000:1	22mW	7	SPI/UART	Internal	3.3V	AC:✓ DC:×	LQFP32	多路交直流计量
BL6552	3U4I, Multifunction (Active 5000:1, Reactive 5000:1, Freq., PF, Q, S, P, V, I)	22mW	7	SPI/UART	3.58MHz	3.3V		QFN36	三相导轨表 充电桩
BL0972	1U1I, Multifunction (Active 5000:1, Reactive 5000:1, Freq., PF, Q, S, P, V, I) DC 2000:1	10mW	2	SPI IIC	Internal	3.3V	AC:✓ DC:×	TSSOP20	直流充电桩

Energy Measurement ASIC 电能计量专用电路

Part No.	Measurement	Power Consumption	ADC Channels	Output	Clock	VDD	Calibration Free	Package	Application
BL0921	Active	20mW	3	Pulse	Internal	5.0V	×	SOP16	单相防窃电能表
BL6501A	Active	15mW	3	Pulse	3.58MHz	5.0V	×	SSOP24	单相防窃电能表
BL0930E	Active 3000:1	15mW	2	Pulse	Internal	5.0V	×	SOP16	单相有功电能表
BL0930F	Active 3000:1	10mW	2	Pulse	Internal	3.3V	×	SOP16	单相导轨表 支持自动化校表
BL6503E	Active	15mW	2	Pulse	3.58MHz	5.0V	×	SSOP24	单相有功电能表
BL6513C	Active 3000:1	25mW	6	Pulse	3.58MHz	5.0V	×	SOP24	三相有功电能表
BL6523GX	PF, V, P, Multifunction (Active 6000:1, I, Freq.), S	25mW	3	UART/Pulse	3.58MHz	5.0V	×	SOP16	单相多功能

SOC 高精度直流计量系统级芯片

Part No.	CPU	VDD	Flash	RAM	Measurement Features	LCD Driver	GPIO	RTC	Crystal (Hz)	Encrypt	I ² C	SPI	UART	7816	Package
BL66A0242	ARM-M0	2.4~5.5V	256KB	32KB	3×Σ-Δ	4COM×22SEG 6COM×20SEG 8COM×18SEG	42	✓	32.768K	AES 256/ 192/128	1	1	4	2	LQFP64 (7×7)

ADC/DAC 数据转换器

Part No.	Features	SNR	SFDR	Power	Interface	Package
BL1081	8 Channel 16 bits 100KS/s Simultaneous Sampling Data Acquisition System	88.0dBFS @1KHz input	105dBFS @1KHz input	150mW	SPI/Parallel	LQFP64
BL1082	8 Channel 16 bits 200KS/s Simultaneous Sampling Data Acquisition System	87.0dBFS @1KHz input	105dBFS @1KHz input	165mW	SPI/Parallel	LQFP64
BL1083	8 Channel 16bit 200KS/s Simultaneous Sampling Data Acquisition System, CRC	87.0dBFS @1KHz input	105dBFS @1KHz input	165mW	SPI/Parallel	LQFP64
BL1086	4 Channel 16 bits 320KS/s Simultaneous Sampling Data Acquisition System	87.0dBFS @1KHz input	105dBFS @1KHz input	128mW	SPI/Parallel	LQFP64
BL1087	8 Channel 16bit 500KS/s Data Acquisition System	87.0dBFS @1KHz input	103dBFS @1KHz input	90mW	SPI	TSSOP38
BL1088	16 Channel 16bits 1MS/s Simultaneous Sampling Data Acquisition System	88.0dBFS @1KHz input	103dBFS @1KHz input	300mW	SPI/ Parallel With CRC	LQFP80
BL1080	18bits 2MS/s SAR ADC	95.0dBFS @1KHz input	110dBFS @1KHz input	30mW	SPI/Parallel	QFN48

Voltage References 电压基准源

Part No.	Features	Output	Input	Temp Range	Temperature Drift	Initial Accuracy	Noise	Package
BLR120	High Precision Voltage Reference	2.048V	12V Max.	-40°C~125°C	5ppm Typical 10ppm Max.	0.05%	16μVpp	SOIC8
BLR125	High Precision Voltage Reference	2.5V	12V Max.	-40°C~125°C	5ppm Typical 10ppm Max.	0.05%	20μVpp	SOIC8
BLR133	High Precision Voltage Reference	3.3V	12V Max.	-40°C~125°C	5ppm Typical 10ppm Max.	0.05%	24μVpp	SOIC8
BLR140	High Precision Voltage Reference	4.096V	12V Max.	-40°C~125°C	5ppm Typical 10ppm Max.	0.05%	30μVpp	SOIC8
BLR150	High Precision Voltage Reference	5.0V	12V Max.	-40°C~125°C	5ppm Typical 10ppm Max.	0.05%	37μVpp	SOIC8
BLR220	High Precision Voltage Reference	2.048V	5.5V Max.	-40°C~125°C	3ppm Typical 8ppm Max.	0.02%	16μVpp	SOIC8
BLR225	High Precision Voltage Reference	2.5V	5.5V Max.	-40°C~125°C	3ppm Typical 8ppm Max.	0.02%	18μVpp	SOIC8
BLR230	High Precision Voltage Reference	3.0V	5.5V Max.	-40°C~125°C	3ppm Typical 8ppm Max.	0.02%	22μVpp	SOIC8
BLR233	High Precision Voltage Reference	3.3V	5.5V Max.	-40°C~125°C	3ppm Typical 8ppm Max.	0.02%	25μVpp	SOIC8
BLR240	High Precision Voltage Reference	4.096V	5.5V Max.	-40°C~125°C	3ppm Typical 8ppm Max.	0.02%	29μVpp	SOIC8
BLR250	High Precision Voltage Reference	5.0V	5.5V Max.	-40°C~125°C	3ppm Typical 8ppm Max.	0.02%	35μVpp	SOIC8

Interface Circuit RS-485接口芯片

Part No.	Features	VDD	Data Rate	ICC	Max. points	Package	Range of Temp	Reference
BL3085	15KV ESD Protected RS485 Transceivers	3.3V, 5.0V	500Kbps	0.2mA	256	SOP8	-40~+85°C	MAX3085
BL3085N	15KV ESD Protected RS485 Transceivers	3.3V, 5.0V	500Kbps	0.2mA	256	SOP8	-40~+85°C	Self-adaption
BL1585B	15KV ESD Protected RS485 Transceivers	5.0V	250Kbps	0.2mA	128	SOP8	-40~+85°C	
BL1590	15KV ESD Protected RS485 Transceivers	3.3V, 5.0V	16Mbps	1.5mA	32	SOP8	-40~+125°C	SN65176
BL1587	15KV ESD Protected RS485 Transceivers	5.0V	2Mbps	0.9mA	128	SOP8	-40~+85°C	

Interface Circuit RS-232接口芯片

Part No.	Features	VCC	Data Rate (Max.)	No. of Tx.	No. of Rx.	Package	Range Of Temp.	Reference
BL13232E	±15KV ESD Protected RS-232 Transceivers	3~5.5V	250kbps	2	2	SOP16 TSSOP16	40~+125°C	MAX3232E

CAN bus interface chip (CAN 总线接口芯片)

Part No.	Features	VCC	Data Rate (Max.)	Lowpower mode	Bus fault protection	Package	Range Of Temp.	Reference
BL1571	5M bps CAN bus interface chip	4.5~5.5V	5Mbps	2	±58V	SOP8	40~+125°C	TJA1051T
BL1571V	5M bps CAN bus interface chip/IO support 3.3V	4.5~5.5V	5Mbps	2	±58V	SOP8	40~+125°C	TJA1051T/3

EEPROM 存储芯片

Part No.	Capacity	Supple Voltage	Interface	Package
BL24C02F	2K Bits	1.7~5.5V	Two-wire Serial	DIP8 SOP8 TSSOP8 UDFN8 TSOT23-5
BL24C04F	4K Bits	1.7~5.5V	I ² C	DIP8 SOP8 TSSOP8 UDFN8 TSOT23-5
BL24C08F	8K Bits	1.7~5.5V	I ² C	DIP8 SOP8 TSSOP8 UDFN8 TSOT23-5
BL24C16F	16K Bits	1.7~5.5V	I ² C	DIP8 SOP8 TSSOP8 UDFN8 TSOT23-5
BL24C32F	32K Bits	1.7~5.5V	I ² C	DIP8 SOP8 TSSOP8 UDFN8 TSOT23-5
BL24C64A	64K Bits	1.7~5.5V	I ² C	DIP8 SOP8 TSSOP8 UDFN8 TSOT23-5
BL24C128A	128K Bits	1.7~5.5V	I ² C	DIP8 SOP8 TSSOP8 UDFN8 TSOT23-5
BL24C256A	256K Bits	1.7~5.5V	I ² C	DIP8 SOP8 TSSOP8 UDFN8 TSOT23-5
BL24C512A	512K Bits	1.7~5.5V	I ² C	DIP8 SOP8 TSSOP8 UDFN8 TSOT23-5
BL24C512B	512K Bits	1.7~5.5V	I ² C	DIP8 SOP8 TSSOP8 UDFN8 TSOT23-5
BL24CM1A	1M Bits	1.7~5.5V	I ² C	DIP8 SOP8 TSSOP8 UDFN8 TSOT23-5
BL24CM2A	2M Bits	1.7~5.5V	I ² C	DIP8 SOP8 TSSOP8 UDFN8 TSOT23-5
BL25CM1A	1M Bits	1.7~5.5V	SPI	DIP8 SOP8 WLCSP8
BL25CM2A	2M Bits	1.7~5.5V	SPI	DIP8 SOP8 WLCSP8

LCD Display Driver 液晶显示驱动芯片

Part No.	Features	IDD (Power Saving)	IDD (Normal Mode)	Interface	Supple Voltage	Package	Reference
BL55028	4 x 19 SEG	9 μ A@3.3V	25 μ A@5V	Two-wire Serial	2.5~5.5V	SOP28	
BL55066B	4 x 24 SEG	9 μ A@3.3V	25 μ A@5V	Two-wire Serial	2.5~5.5V	LQFP44	PCF8566
BL55073	4 x 19 SEG	7.5 μ A@3.3V	10 μ A@5V	Two-wire Serial	2.5~5.5V	TSSOP28	
BL55072A	4 x 36 SEG	7.5 μ A@3.3V	10 μ A@5V	Two-wire Serial	2.5~5.5V	TSSOP48	BU9792
BL55077	4 x 40 SEG	9 μ A@3.3V	25 μ A@5V	Two-wire Serial	2.5~5.5V	LQFP64	PCF8576
BL55080	8 x 35 SEG	8 μ A@3.3V	10 μ A@5V	Two-wire Serial	2.5~5.5V	TSSOP48 LQFP48	BU97950
BL55088	8 x 38 SEG 6 x 38 SEG	9 μ A@3.3V	12 μ A@5V	Two-wire Serial	2.5~5.5V	LQFP52	

Relay Driver 磁保持继电器驱动芯片

Part No.	Features	Standby	Rds(on) Typ.	Output	VDD	Package	Application
BL8023C	Bidirectional Relay Driver	<1 μ A	12 Ω @Vin=12V 10 Ω @Vin=30V	300mA	5.0~36V	DIP8 SOP8	电表,功率补偿器,磁保持继电器
BL8023D	Bidirectional Relay Driver	<1 μ A	12 Ω @Vin=12V 10 Ω @Vin=30V	300mA	5.0~36V	SOT23-6	电表,功率补偿器,磁保持继电器
BL8023F	Bidirectional Relay Driver	<1 μ A	12 Ω @Vin=12V 10 Ω @Vin=30V	300mA	5.0~36V	SOT23-6	电表,功率补偿器,磁保持继电器
BL8023K	Bidirectional Relay Driver	<1 μ A	7 Ω @Vin=12V A、B R _{in} =20K Ω	400mA	5.0~40V	SOT23-6	电表,功率补偿器,磁保持继电器

Isolator 数字隔离器

Part No.	VDD	Data Rate	Channel	Forward	Reverse	Viotm(narrow)	Viotm(wide)	Default Output	Integrated Power	Package	Application
BL7120xL	2.35~5.5V	100Mbps	2	2	0	4242Vpk	8000Vpk	L	No	SOP8,SOW8	工业控制, 电源, 电表
BL7120xH	2.35~5.5V	100Mbps	2	2	0	4242Vpk	8000Vpk	H	No	SOP8,SOW8	工业控制, 电源, 电表
BL7121xL	2.35~5.5V	100Mbps	2	1	1	4242Vpk	8000Vpk	L	No	SOP8,SOW8	工业控制, 电源, 电表
BL7121xH	2.35~5.5V	100Mbps	2	1	1	4242Vpk	8000Vpk	H	No	SOP8,SOW8	工业控制, 电源, 电表
BL7122xL	2.35~5.5V	100Mbps	2	1	1	4242Vpk	8000Vpk	L	No	SOP8,SOW8	工业控制, 电源, 电表
BL7122xH	2.35~5.5V	100Mbps	2	1	1	4242Vpk	8000Vpk	H	No	SOP8,SOW8	工业控制, 电源, 电表
BL7140xL	2.35~5.5V	100Mbps	4	4	0	4242Vpk	8000Vpk	L	No	SOW16,SSOP16	工业控制, 电源, 电表
BL7140xH	2.35~5.5V	100Mbps	4	4	0	4242Vpk	8000Vpk	H	No	SOW16,SSOP16	工业控制, 电源, 电表
BL7141xL	2.35~5.5V	100Mbps	4	3	1	4242Vpk	8000Vpk	L	No	SOW16,SSOP16	工业控制, 电源, 电表
BL7141xH	2.35~5.5V	100Mbps	4	3	1	4242Vpk	8000Vpk	H	No	SOW16,SSOP16	工业控制, 电源, 电表
BL7142xL	2.35~5.5V	100Mbps	4	2	2	4242Vpk	8000Vpk	L	No	SOW16,SSOP16	工业控制, 电源, 电表
BL7142xH	2.35~5.5V	100Mbps	4	2	2	4242Vpk	8000Vpk	H	No	SOW16,SSOP16	工业控制, 电源, 电表
BL7160xL	2.35~5.5V	100Mbps	6	6	0	4242Vpk	8000Vpk	L	No	SOW16,SSOP16	工业控制, 电源, 电表
BL7160xH	2.35~5.5V	100Mbps	6	6	0	4242Vpk	8000Vpk	H	No	SOW16,SSOP16	工业控制, 电源, 电表
BL7161xL	2.35~5.5V	100Mbps	6	5	1	4242Vpk	8000Vpk	L	No	SOW16,SSOP16	工业控制, 电源, 电表
BL7161xH	2.35~5.5V	100Mbps	6	5	1	4242Vpk	8000Vpk	H	No	SOW16,SSOP16	工业控制, 电源, 电表
BL7162xL	2.35~5.5V	100Mbps	6	4	2	4242Vpk	8000Vpk	L	No	SOW16,SSOP16	工业控制, 电源, 电表
BL7162xH	2.35~5.5V	100Mbps	6	4	2	4242Vpk	8000Vpk	H	No	SOW16,SSOP16	工业控制, 电源, 电表
BL7163xL	2.35~5.5V	100Mbps	6	3	3	4242Vpk	8000Vpk	L	No	SOW16,SSOP16	工业控制, 电源, 电表
BL7163xH	2.35~5.5V	100Mbps	6	3	3	4242Vpk	8000Vpk	H	No	SOW16,SSOP16	工业控制, 电源, 电表
BL7166xL	2.35~5.5V	100Mbps	6	6	0	4242Vpk	8000Vpk	L	No	SOW16,SSOP16	三相电机控制, 工业自动化
BL7166xH	2.35~5.5V	100Mbps	6	6	0	4242Vpk	8000Vpk	H	No	SOW16,SSOP16	三相电机控制, 工业自动化

DC Motor Driver 马达驱动芯片

Part No.	VIN	Channel	Continuous Current	Peak Current	OTP	OCP	Package	Application	Reference
BL8310	2.0~6.8V	1	1A	1.5A	Y	N	SOP8 DFN8(2×2)	水气表,智能锁,电动牙刷	DRV8837C
BL113	2.1~6.8V	1	1A	1.5A	Y	N	SOT23-6	水汽表	SY6712
BL5610	2.5~12V	1	1.2A	2A	Y	N	SOP8	智能锁	9110
BL5612	3.0~25V	1	1.5A	3.5A	Y	Y	SOP8	断路器	PN7705
BL5616	3.0~25V	1	1.5A	3.5A	Y	Y	SOP8	断路器,智能开关	
BL5617	3.0~25V	1	3A	5A	Y	Y	SOP8	断路器,智能锁	
BL8837	1.8~12V	1	1.8A	3A	Y	Y	SOP8 DFN2×2-8	燃气表, 安防监控	DRV8837

Darlington Transistor Arrays 达林顿管驱动

Part No.	Drivers Per Package	Output Current (Max)	Output Voltage (Max)	Package	Application
ULN2003	7	500mA	50V	SOP16	小家电安防, 步进马达
ULN2803	8	500mA	50V	SOP18 QFN20(4x4)	小家电, 安防, 步进马达

AC/DC Converter AC/DC转换器

Part No.	Pout (Max.)	Drive Device	BVDSS	MODE	Standby Power	OVP	Package	Application	Reference
BL8802	15W	MOSFET	1000V	PSR	<75mW	Y	DIP7	智能电表, 户外监控, 高输入电压的AC/DC方案	
BL8812	12W	MOSFET	650V	PSR	<75mW	Y	SOP7	充电器, 适配器, LED驱动电源	OB2500
BL8891	15W	MOSFET		SSR	<0.15W	Y	DIP7	电源适配器, 机顶盒电源, 小家电电源	OB2358 SP7625
BL8851	60W	External MOSFET		SSR	<0.15W	Y	SOT23-6	电源适配器, 机顶盒电源, 小家电电源	OB2273

Voltage Detector/Reset 电压检测/复位芯片

Part No.	VIN	VDET	IQ	Accu.	Output Type	Package	Delay Time	Application
BL8506	0.7~10V	0.9~6.0V (Step 0.1V)	0.5μA	±2%	CMOS Or NCh, Hysteresis 4%	SOT23-3 SOT89-3 SOT23-5 SOT23	N/A	便携式电池电压检测, Power Good, Failure检测
BL8518	6.0V	2.63V, 2.93V	4.5μA	±3%	CMOS Or NCh	SOT23	200ms	便携式电池电压检测, Power Good, 上电掉电复位Failure检测
ME2807 ME2808	1.5~18V	2.0~7.0V (Step 0.1V)	1.8μA	±1%	CMOS Or Nch	SOT23-3 SOT23 TO92	N/A	便携式电池电压检测, Power Good, Failure检测
ME2815 ME2816	0.7~6.0V	1.0~5.0V (Step 0.1V)	0.5μA	±1%	CMOS Or Nch	SOT23-5	ADJ	便携式电池电压检测, Power Good, Failure检测
ME2805 ME2806	0.7~7.0V	1.0~6.5V (Step 0.1V)	0.9μA	±1%	CMOS Or Nch	SOT23-3 SOT23 DFN1.2x1.6-4 SOT23-5 DFN2x2-6	20ms 50ms	便携式电池电压检测, Power Good, Failure检测

CMOS Type LDO Linear Regulator CMOS型低压差线性稳压器

Part No.	Features	VIN	VOUT	Accu.	PSRR	IQ	IOUT(Max.)	Package	Application
BL8077	Low Power Consumption, Low Dropout Voltage	1.8~5.5V	1.2,1.8,2.5 2.8,3.0,3.3V	±2%	-	0.8μA	300mA	SOT23-5 DFN1x1-4	电表
BL9162	Low Noise, High PSRR, Fast Response ,Output Discharge	1.6~5.5V	1.0~4.0V	±2%	87dB@217Hz	45μA	300mA	SOT23-5 SC70-5 DFN1X1-4	手机,摄像头,机 顶盒
BL9165	Low Noise, High PSRR, Fast Response ,Output Discharge	1.8~5.5V	1.0~4.0V	±2%	87dB@217Hz	45μA	500mA	SOT23-5 SC70-5 DFN1X1-4	手机,摄像头,机 顶盒
BL9110	1A Very Low Dropout Low Noise High PSRR	2.5~6.0V	1.0~5.0V	±2%/±1%	70dB@100Hz	70μA	1A	SOT223-3 TO252-3	TV,STB,PC主板, 充电桩
BL8071	Low Noise, Low Dropout, High PSRR	Max. 6.0V	1.2~5.0V	±2%	70dB@100Hz	100μA	1.5A	SOT223 DFN2x2-6 DFN3x3-6	TV,STB,PC主板
BL8064	Low Power Consumption, Low Dropout Voltage	1.5~8.0V	1.1~5.5V	±2%	-	1μA	200mA	SOT23-3 SOT89-3	电池供电设备
BL8062	Low Power Consumption, Low Dropout Voltage	Max. 16V	1.2~5.0V	±2%	-	3μA	250mA	SOT23-3 SOT89-3	电池供电设备
BL8075	Low Power Consumption, Low Dropout Voltage	3.0~16V	1.2~5.0V	±2%	-	10μA	500mA	SOT23-5 SOT89-3	电表对讲机
BLE6231 ME6231	18V Input 500mA Low Power Consumption LDO	Max. 18V	1.8~5.0V	±1%	-	1.8μA	250mA	SOT89-3 SOT23-3 SOT23-5 DFN1.2x1.6-4	电池供电设备
BL8072	2A Low Dropout, Low Iq	Max. 18V	1.2~5.0V	±2%	-	3μA	2A	SOT223 TO252	TV,STB,PC主板
BL9153	Low Dropout 0.3V@100mA	4.75~40V	3.3, 5.0V	±2%	45db@100Hz	6μA	500mA	SOT89-3	电表
BLL1970	Single-channel/dual-channel high-voltage linear LED constant current chip	4.5~500V	-	±4%	-	160μA	100mA	ESOP8 SOT89-3 TO252	LED Luminaires

Three-terminal Positive Regulator 三端稳压器

Part No.	Features	VIN	VOUT	Accu.	IQ	IOUT (Max.)	Package	Application
BL78L05D	Three-terminal Positive Voltage Regulator	Max. 42V	5.0V	±2%	2mA	100mA	SOT89-3 SOP8 TO92	家电,电表
BL78L05G	Three-terminal Positive Voltage Regulator	Max. 42V	5.0V	±2%	2mA	100mA	SOT89-3	工业级(125°C)
BL78L53	Three-terminal Positive Voltage Regulator	Withstand Voltage 42V	5.3V	±2%	2mA	100mA	SOT89-3	电表
BL317B	High Current Adjustable Voltage Regulator	Max. 40V	ADJ	±4%	46μA	1.5A	TO220 TO252 TO263	STB

DC/DC Step-down Converter 降压型DC/DC转换器

Part No.	Power switching	MODE	VIN	VOUT	IQ	FOSC	Eff.	Max. Duty Cycle	Accu.	IOUT	Package	Application	Reference
BL9342	Built-in MOSFET	PWM/PFM	4.5~40V	ADJ	0.2mA	1.8MHz	95%	90%	±2%	0.6A	SOT23-6	电表,车载,载波模块	MP2451 LM2842
BLL2770	Built-in MOSFET	CC	7.0~40V	-	-	135KHz	93%	100%	±3%	3.5A	SOP8	Car Light	
BLL2748	Built-in MOSFET	Jitter+CC/ CV+Isense	8.5~40V	ADJ (Vfb=1V)	1.5mA	135KHz	95%	100%	±2%	3.5A	SOP8	Car Charger	
BLL2740	Built-in MOSFET	Jitter+CC/ CV+Isense	8.5~42V	ADJ (Vfb=1V)	1.5mA	135KHz	95%	100%	±2%	3.5A	SOP8	Car Charger	
BLL2742	Built-in MOSFET	Jitter+CC/ CV+Isense	8.5~42V	5.05V	1.6mA	130KHz	96%	95%	±2%	5.5A	SOP8	Car Charger	
BLL2745	Built-in MOSFET	Jitter+CC/ CV+Isense	8.5~42V	5.05V	1.6mA	280KHz	96%	95%	±2%	5.5A	QFN4x4-14	Car Charger	
BLL2752	External MOSFET	Jitter+CC/ CV+Isense	8.5~40V	5.05V	1.6mA	130KHz	96%	95%	±2%	15A	ESOP8	Car Charger	
BLL2741	Built-in MOSFET	Jitter+CC/ CV+Isense	8.0~43V	5.1V	1.5mA	135KHz	95%	95%	±2%	4A	ESOP8	Car Charger	
BLL2741Q	Built-in MOSFET	Jitter+CC/ CV+Isense	8.5~35V	5.1V	1.5mA	135KHz	95%	95%	±2%	4A	ESOP8	Car Charger	
BL9362	Built-in MOSFET	PWM/PFM	4.5~60V	ADJ	0.65mA	2MHz	95%	90%	±2%	0.6A	SOT23-6	电表,车载,通讯,工控	MP2451 LM2842 HT7563 BU9677
BL9368	Built-in MOSFET	PWM/PFM	5.0~60V	ADJ	0.7mA	480KHz	90%	90%	±2%	1.2A	ESOP8		
BLL2771	Built-in MOSFET Synchronous	CC	7.0~70V	-	-	150KHz	93%	92%	±3%	4A	QFN5x5-14	Car Light	
BLL2681	Built-in high-side MOSFET, Synchronous	PWM/PFM	7.0~70V	ADJ (3~40V)	0.6mA	150KHz	92%	91%	±2%	1.2A	SOP8	DPS, POE	
BLL2682	Built-in high-side MOSFET, Synchronous	PWM/PFM	7.0~70V	ADJ (3~40V)	0.6mA	150KHz	94%	91%	±2%	2A	SOP8	DPS, POE	
BLL2683	Built-in MOSFET Synchronous	PWM/PFM	7.0~70V	ADJ	0.6mA	150KHz	94%	91%	±2%	3A	SOP8	DPS, POE	
BLL2783	Built-in MOSFET Synchronous	PWM/PFM	7.0~70V	ADJ	0.6mA	150KHz	94%	91%	±2%	3A	SOP8	DPS, POE	

DC/DC Step-up Converter 升压型DC/DC转换器

Part No.	MODE	VIN	VOUT	IQ	FOSC	Eff.	Accu.	Power Switching	IOUT	Package	Application
BL8531	PFM	0.8~5.5V	2.5~6.0V Step	100mV 4μA	450KHz	85%	±2%	Internal MOSFET	0.3A	SOT89-3 SOT23-3 SOT23-5	应急充
BL8531C	PFM	0.8~5.5V	2.5~6.0V Step	100mV 6μA	400KHz	90%	±2%	External MOSFET	-	SOT23-5	应急充,
BL8536	Sync Boost PWM	0.9~5.0V	1.8~3.6V	8μA	1MHz	94%	±2%	Internal Sync Rectifier	0.3A	SOT89-3 SOT23-3	鼠标,玩具
BLL3310	Async Boost PWM/PFM	2.5~5.5V	Max. 30V	0.2mA	1.2MHz	90%	±2%	Internal MOSFET	-	SOT23-6	LED Backlight
BL8042D	Async Boost PWM/PFM	2.5~24V	Max. 28V	0.25mA	1.2MHz	96%	±2%	Internal MOSFET	2A	SOT23-6	LNB,STB,载波
BLL3330	Async Boost PWM/PFM	6.0~28V	Max. 80V	0.32mA	120KHz	-	±2%	Internal MOSFET	-	ESOP8	LED Backlight

Bipolar Type LDO Linear Regulator 双极型低压差线性稳压器

Part No.	Features	VIN	VOUT	Accu.	IQ	IOUT (Max.)	Package	Application	Reference
BL1117	Bipolar, Low Dropout Voltage	Max. 15V	1.2,1.8,2.5,3.3,5V, ADJ	±2%	2mA	1A	SOT223 TO252	TV,STB,PC主板	LM1117
BL1118	Dual Channels Bipolar, Low Dropout Voltage	Max. 12V	1.2,1.8,2.5,3.3,5V, ADJ	±2%	2mA x 2	1A x 2	ESOP8	TV,STB,PC主板	
BL1085	Bipolar, Low Dropout Voltage	Max. 12V	1.8,2.5,3.3,5V, ADJ	±2%	4mA	3A	TO252 TO263	TV,STB,PC主板	LM1085
BL1084	Bipolar, Low Dropout Voltage	Max. 12V	1.8,2.5,3.3,5V, ADJ	±2%	5mA	5A	TO252 TO263	TV,STB,PC主板	LM1084

Low noise operational amplifiers 低噪声运算放大器

Part No.	Channel	Noise@1KHz Typ (nV/√Hz)	Power Supply (V)	GBW (MHz)	Slew Rate (V/μs)	Iq/CH (μA)	Input Bias Current (pA)	Vos (mV) Type	Rail To Rail Input/Output	Package
BL3791	1	11.5	2.1~5.5	11	9	1100	1	0.8	Y	SOT23-5
BL3792	2	11.5	2.1~5.5	11	9	1100	1	0.8	Y	SOP8, MSOP8
BL3794	4	11.5	2.1~5.5	11	9	1100	1	0.8	Y	SOP14
BL3781	1	13	2.1~5.5	6	4.2	470	1	0.8	Y	SOT23-5
BL3782	2	13	2.1~5.5	6	4.2	470	1	0.8	Y	SOP8
BL3784	4	13	2.1~5.5	6	4.2	470	1	0.8	Y	SOP14

Precision operational amplifiers 高精度运算放大器

Part No.	Channel	Noise@1KHz Typ (nV/√Hz)	Power Supply (V)	GBW (MHz)	Slew Rate (V/μs)	Iq/CH (μA)	Input Bias Current (pA)	Maximum Vos (μV)	Rail To Rail Input/Output	Package
BL3891	1	30	1.8~5.5	1.8	0.95	180	20	38	Y	SOT23-5
BL3892	2	30	1.8~5.5	1.8	0.95	180	20	38	Y	SOP8, MSOP8
BL3894	4	30	1.8~5.5	1.8	0.95	180	20	38	Y	SOP14, TSSOP14

Nano-Power Operational Amplifiers 纳安级运算放大器

Part No.	Channel	Power Supply (V)	GBW (KHz)	Slew Rate (V/ms)	Iq/CH (nA)	Input Bias Current (pA)	Maximum Vos (mV)	Rail To Rail Input/Output	Package
BL3691	1	1.4~5.5	14.5	6	600	1	3	Y	SOT23-5
BL3692	2	1.4~5.5	14.5	6	600	1	3	Y	SOP8 MSOP8
BL3694	4	1.4~5.5	14.5	6	600	1	3	Y	SOP14 TSSOP14

Meter MOSFET Selection Guide 电表用MOSFET选型表

Part No.	Package	V_{DSS} (V)	I_D (A)	$R_{DS(ON)}$ (Ω)		V_{th} (V)			ESD
		Min.		Typ.	Max.	Min.	Typ.	Max.	
BL4N80	TO220 TO220F TO251 TO252	800	4	2.3	2.8	3.0	3.5	4.0	N
BL4N80E	TO220 TO220F TO251 TO252	800	4	3.5	4.2	3.0	3.5	4.0	Y
BL3N90	TO220 TO220F TO251 TO252	900	3	4.0	4.8	3.0	3.5	4.0	N
BL3N90E	TO220 TO220F TO251 TO252	900	3	4.2	5.0	3.0	3.5	4.0	Y
BL4N90	TO220 TO220F TO251 TO252	900	4	2.6	3.0	3.0	3.5	4.0	N
BL5N90	TO220 TO220F TO251 TO252	900	5	2.5	2.9	3.0	3.5	4.0	N
BL2N100	TO220 TO220F TO251 TO252	1000	2	5.6	6.8	3.0	3.5	4.0	N
BL3N100E	TO220 TO220F TO251 TO252	1000	2.5	5.6	6.8	3.0	3.5	4.0	Y
BL3N100	TO220 TO220F TO251 TO252	1000	3	3.5	4.2	3.0	3.5	4.0	N
BL3N105	TO220 TO220F TO251 TO252	1050	3	4.0	4.8	3.0	3.5	4.0	N
BL6N120	TO220 TO220F TO3PN TO3PF	1200	6	2.6	3.2	3.0	4.0	5.0	N
BL5N135	TO220 TO220F TO3PN TO3PF	1350	5	3.0	3.6	3.0	4.0	5.0	N
BL3N150	TO220 TO220F TO3PN TO3PF	1500	3	5.8	8.0	3.0	4.0	5.0	N
BL4N150	TO220 TO220F TO3PN TO3PF	1500	4	4.0	5.0	3.0	4.0	5.0	N

Trench MOSFET (沟槽场效应晶体管)

Part No.	BV(V)	I _D (A)	R _{DS(ON)} (mΩ)@V _{GS} = 10V		R _{DS(ON)} (mΩ)@V _{GS} = 4.5V		R _{DS(ON)} (mΩ)@V _{GS} = 2.5V		V _{TH} (V)			Package
			Typ.	Max.	Typ.	Max.	Typ.	Max.	Min.	Typ.	Max.	
BLM3400	30	5.8	31	41	34	45	45	59	0.7	0.9	1.4	SOT23
BLM2301	-20	-3	-	-	46	70	62	100	-0.4	-0.7	-1	SOT23
BLM2305	-20	-4.1	-	-	43	52	58	75	-0.45	-0.7	-1	SOT23
BLM08P02	-20	-40	6	8	7	9	-	-	-0.4	-0.7	-1	PDFN3.3×3.3 SOP8
BLM3407	-30	-4.1	46	65	65	95	-	-	-1	-1.5	-2.4	SOT23
BLM3401	-30	-4.2	50	55	64	72	95	120	-0.7	-1	-1.3	SOT23
BLM4953	-30	-5.1	48	60	73	105	-	-	-1	-1.5	-2.4	SOP8(Dual)
BLM9435	-30	-5.1	48	55	73	105	-	-	-1	-1.5	-2.4	SOP8
BLM4435	-30	-9.1	15	20	21	35	-	-	-1	-1.5	-2.4	SOP8
BLM4407	-30	-20	11.5	15	18	25	-	-	-1	-1.5	-2.4	SOP8
BLM12P03	-30	-20	11.5	15	18	25	-	-	-1	-1.5	-2.4	PDFN3.3×3.3 TO251
BLM10P03	-30	-24	8	10	11	13	-	-	-1	-1.5	-2.4	TO252 SOP8 PDFN3.3×3.3 PDFN5×6
BLM40P04	-40	-15	29	35	34	45	-	-	-1	-1.5	-2.4	TO252 SOP8 TO251 PDFN3.3×3.3
BLM15P04	-40	-40	11	15	14	20	-	-	-1	-1.5	-2.4	TO252

IGBT 绝缘栅双极晶体管

Part No.	BV _{CES} (V)	I _C (A)	V _{CE(sat)} (V)		V _{GS(th)} (V)		T _{don} (ns)	T _r (ns)	T _{doff} (ns)	T _f (ns)	E _{on} (mJ)	E _{off} (mJ)	Package	
			Typ.	Max.	Min.	Typ.								Max.
BLG3040-D/B/I	400	17	1.3	1.6	1.3	1.8	2.2	-	-	-	-	-	TO252 TO262 TO263	
BLG10T65FUL-D	650	10	1.4	1.8	4.5	5.2	6	7	12	15	102	0.17	0.14	TO252
BLG15T65FUA-A/B/P	650	15	1.55	1.95	4.5	5.2	6	10	15	17	234	0.25	0.2	TO220 TO220F TO263
BLG15T65FUL-A/B/P	650	15	1.4	1.8	5.1	5.8	6.5	11	14	66	99	0.21	0.26	TO220 TO220F TO263
BLG20T65FULA-A/P	650	20	1.55	1.95	5.1	5.8	6.5	12	17	36	136	0.28	0.28	TO220 TO220F
BLG40T65FUK-W/F/K	650	40	1.55	1.95	4.8	5.5	6.2	19	35	90	26	0.6	0.38	TO3PN TO247 TO3PF
BLG40T65FDK-F	650	40	1.55	1.95	4.8	5.5	6.2	19	35	90	26	0.6	0.38	TO247
BLG40T65FDL-W/F/K	650	40	1.45	1.85	4.8	5.5	6.2	20	33	112	66	0.65	0.68	TO3PN TO247 TO3PF
BLG40T65FUL-W/F	650	40	1.45	1.85	4.8	5.5	6.2	20	33	112	66	0.65	0.68	TO3PN TO247
BLQG50T65FDLA-F	650	50	1.6	2	4.8	5.5	6.2	22	44	102	59	0.98	0.81	TO247
BLG75T65FDL-F	650	40	1.7	2.1	4.8	5.5	6.2	32	74	114	73	1.14	1.53	TO247
BLG40T120FUH-F	1200	40	2	2.4	5	5.8	6.5	45	81	295	40	3.5	1.1	TO247
BLG40T120FDH-F	1200	40	2	2.4	5	5.8	6.5	45	81	295	40	3.5	1.1	TO247
BLG40T120FUK-F	1200	40	2.35	2.75	5	5.8	6.5	49	96	254	32	4.1	0.85	TO247